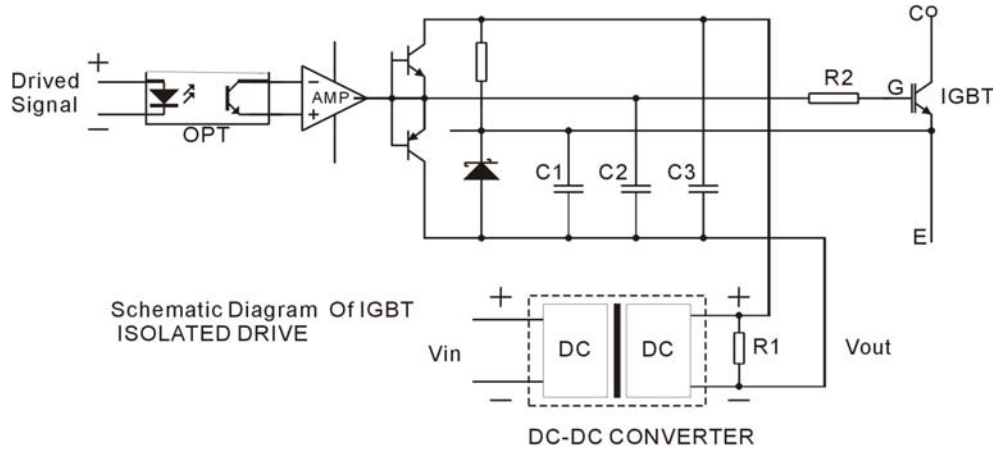


# BASIC IGBT ISOLATED DRIVE APPLICATION

## DRIVE CIRCUIT SOLUTION



## DC-DC POWER MODULE SELECTION GUIDE

POWER SOURCE	IGBT DRIVE POSITIVE POLE	IGBT DRIVE NEGATIVE POLE	DC-DC POWER MODULE SELECTIONS GUIDE			
			1000VDC ISOLATION		3000VDC ISOLATION	
			DIP	SIP	DIP	SIP
5V	19V	5V	B0524LD-1W	B0524LS-1W	F0524D-1W	F0524S-1W
	24V	5V	A0515D-1W	A0515S-1W	E0515D-1W	E0515S-1W
12V	19V	5V	B1224LD-1W	B1224LS-1W	F1224D-1W	F1224S-1W
	24V	5V	A1215D-1W	A1215S-1W	E1215D-1W	E1215S-1W
15V	19V	5V	B1524LD-1W	B1524LS-1W	F1524D-1W	F1524S-1W
	24V	5V	A1515D-1W	A1515S-1W	E1515D-1W	E1515S-1W
24V	19V	5V	B2424LD-1W	B2424LS-1W	F2424D-1W	F2424S-1W
	24V	5V	A2415D-1W	A2415S-1W	E2415D-1W	E2415S-1W

NOTES: Bxxxxx-1W is fixed input, isolated, unregulated single output series, Axxxxx-1W is fixed input, isolated, unregulated dual output series. Many selections are available other than those shown above. Mornsun also produce 2 watts or bigger products if 1 watt is not enough for your application.

### Applications;

- Transducer, inverter, switching power supply, DC-DC converter;
- Electromotor driving, traction engine;
- Power source of railway or subway, electric autos;
- Mineral mining, gas mining, pipe transfer, water treatment;
- Electrical engineering, power plant, electricity transmit

### Notes:

- When select DC-DC modules, make sure the output power of modules match the demand of IGBT drive. Too large or too low power will likely hurt the modules. In a perfect case, the modules work at about 20%~80% of its rated power.
- It is recommended that the capacitor C2 which attached to output of DC-DC modules does not exceed 1uF, otherwise the modules may have problem while starting.
- The measurement to determine resistor R1 which attached to output of DC-DC modules can be: the power consumption of R1 should be 2~5% of the rated power of the module.
- For special requirements please contact us:

Tel: (978)567-9610 or Fax: (978)567-9601

Website: <http://www.mornsunamerica.com>

E-mail: [sales@mornsunamerica.com](mailto:sales@mornsunamerica.com)