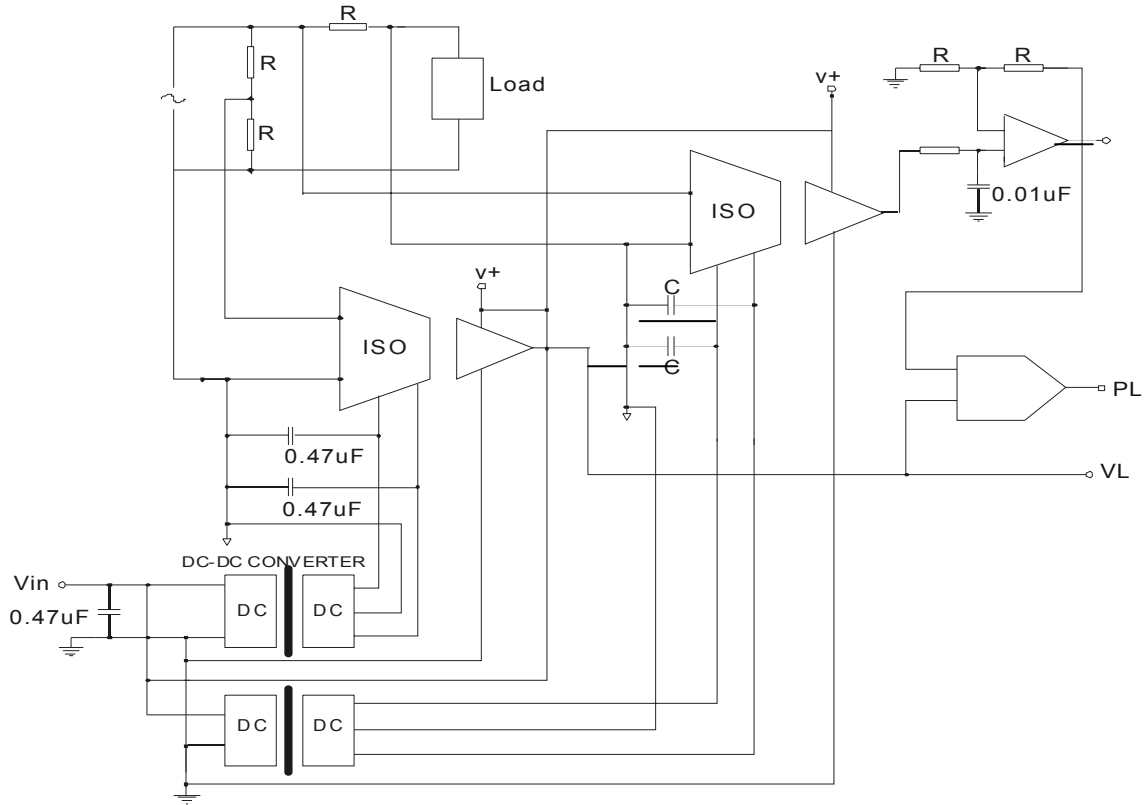


# ISOLATION AMPLIFIER APPLICATION



## FEATURES

- c. The power source is +/-15V;
- d. Using DC-DC modules to isolate power source, makes input and output free from any electrical relations and this restrains surrounding EMI, eliminates ground loop, and protects the circuit system free interference from outside circuits.

## DC-DC POWER MODULE SELECTION GUIDE

SYSTEM POWER SUPPLY	GENERAL APPLICATION		REGULATED APPLICATION		WIDE INPUT RANGE HIGH POWER APPLICATION	
	1000VDC ISOLATION		1000VDC ISOLATION		1000VDC ISOLATION	
	PART NUMBER	PACKAGE	PART NUMBER	PACKAGE	PART NUMBER	PACKAGE
5V	A0515S-1W	SIP	IA0515KS-1W	SIP	WRA0515CS-1W	SIP
	A0515D-1W	DIP				
	A0515(X)T-1W	SMD				
12V	A1215S-1W	SIP	IA1215KS-1W	SIP	WRA1215CS-1W	SIP
	A1215D-1W	DIP				
	A1215(X)T-1W	SMD				
24V	A2415S-1W	SIP	IA2415KS-1W	SIP	WRA2415CS-1W	SIP
	A2415D-1W	DIP				
	A2415(X)T-1W	SMD				

### NOTES:

1. Axxxxx-1W is fixed input, isolated, unregulated dual output series.
2. IAxxxxx-1W is fixed input, isolated, regulated dual out put series.
3. WRAxxxxx-1W is wide input, isolated, regulated dual output series.
4. For higher isolation applications, such as 3000VDC and 6000VDC, please select E, IE, G and WRE series.

- The application above is made while assuming operation voltage of the system is +/-15V. For +/-5V and +/-12V applications please choose Mornsun's corresponding products.
- See datasheets for detailed application solution of DC-DC power modules.
- Tel: (978)567-9610 or Fax: (978)567-9601

Website: <http://www.mornsunamerica.com>

E-mail: [sales@mornsunamerica.com](mailto:sales@mornsunamerica.com)