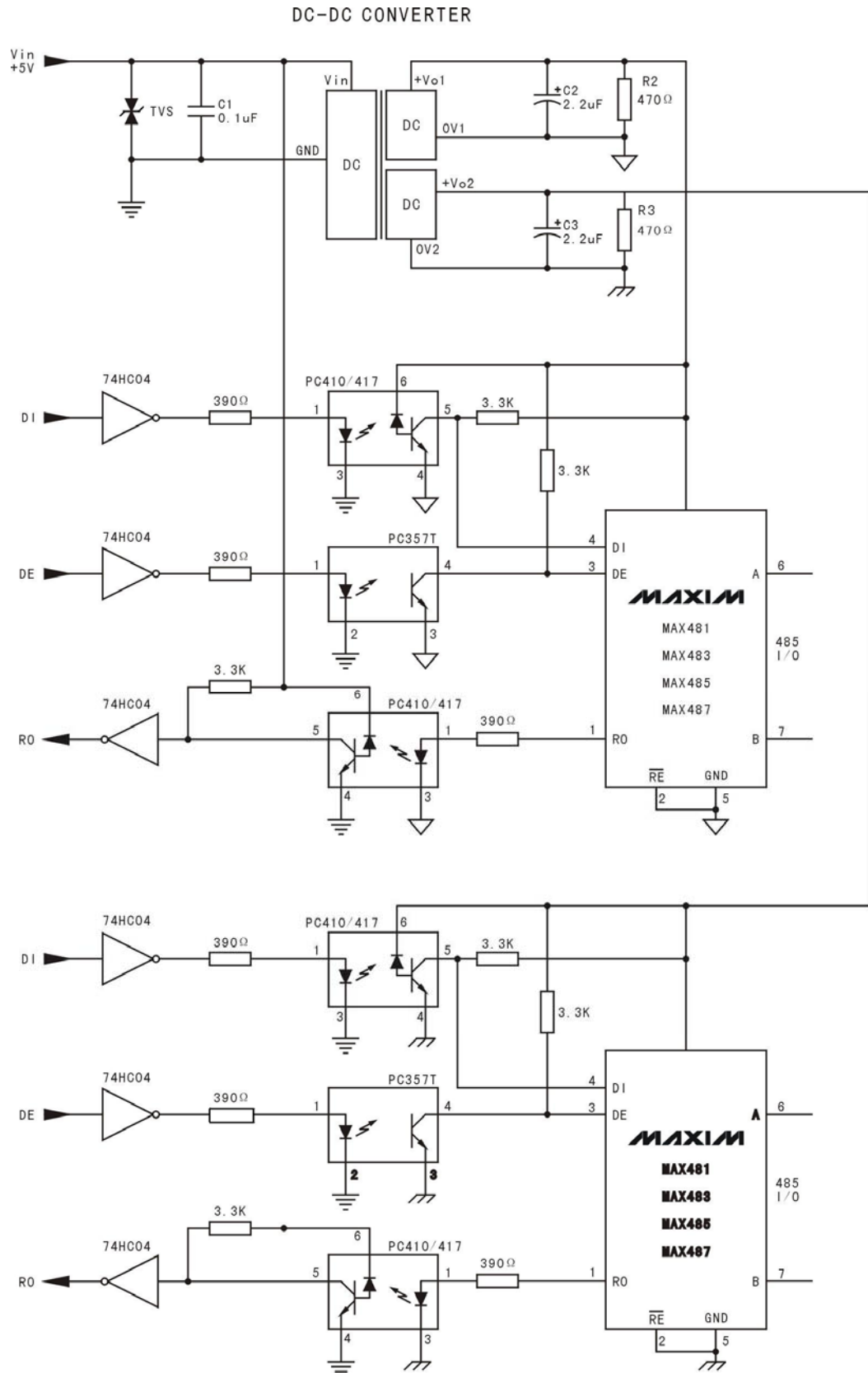


# DUAL RS-485 CIRCUIT - INDEPENDENT OUTPUTS



## FEATURES

The use of twin isolation DC-DC modules and photounits provides two independent RS-485 outputs. This solution

reduces the cost, simplifies the circuit, makes it able to restrain surrounding EMI, and to eliminate ground loops, protects the circuit system, and frees interference from outside circuits.

#### DC-DC POWER MODULE SELECTION GUIDE

SYSTEM POWER SUPPLY	1000VDC ISOLATION	
	GENERAL APPLICATION	
	PART NUMBER	PACKAGE
5V	D050505 (N) S-1W	SIP
	D050505 (N) D-1W	DIP
	D050505T-1W	SMD
12V	D120505 (N) S-1W	SIP
	D120505 (N) D-1W	DIP
	D120505T-1W	SMD
24V	D240505 (N) S-1W	SIP
	D240505 (N) D-1W	DIP
	D240505T-1W	SMD

NOTE: Dxxxxx-1W is fixed input, twin isolation, unregulated independent output series

#### Notes:

- a. The capacitor C2/C3 which attached to output of DC-DC modules could not be large, generally can not exceed 4.7uF, otherwise the modules may have problem while starting.
- b. The measurement to determine resistor R2 / R3 which attached to output of DC-DC modules can be: the power consumption of R2 / R3 should be 10% of the rated power of the module.
- c. For special requirements please contact us:  
 Tel: (978)567-9610 or Fax: (978)567-9601  
 Website: <http://www.mornsunamerica.com>  
 E-mail: [sales@mornsunamerica.com](mailto:sales@mornsunamerica.com)