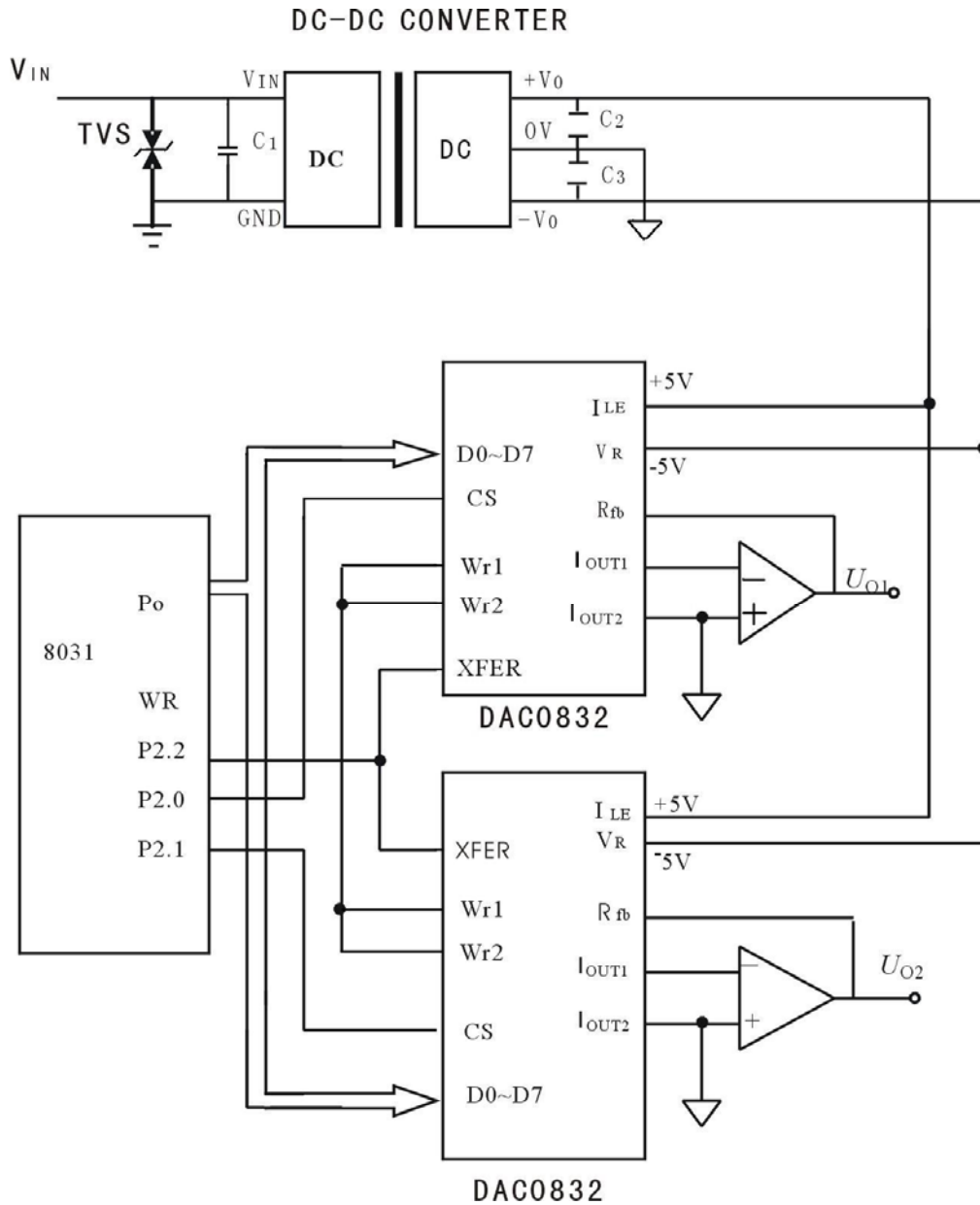


# D/A CONVERTER APPLICATION



## FEATURES

- e. In this circuit, we take for example where DC-DC module is used as power source of DAC0832, and where the DAC0832's input voltage is  $\pm 5V$ , high accuracy.
- f. The use of DC-DC module and photounits restrains surrounding EMI, eliminates ground loop, and protects the circuit system free interference from outside circuits. The modules provide a stable, precision, low noise and low ripple power source as well.

## DC-DC POWER MODULE SELECTION GUIDE

SYSTEM POWER SUPPLY	GENERAL APPLICATION				HIGH PRECISION APPLICATION (RECOMMENDED)	
	1000VDC ISOLATION		3000VDC ISOLATION		1000VDC ISOLATION	
	PART NUMBER	PACKAGE	PART NUMBER	PACKAGE	PART NUMBER	PACKAGE
5V	A0505S-1W A0505D-1W A0505(X)T-1W	SIP DIP SMD	E0505S-1W E0505D-1W E0505T-1W	SIP DIP SMD	IA0505S-1W	SIP
12V	A1205S-1W A1205D-1W A1205(X)T-1W	SIP DIP SMD	E1205S-1W E1205D-1W E1205T-1W	SIP DIP SMD	IA1205S-1W	SIP
24V	A2405S-1W A2405D-1W A2405(X)T-1W	SIP DIP SMD	E2405S-1W E2405D-1W	SIP DIP	IA2405S-1W	SIP
NOTES: 4. Axxxxx-1W is fixed input, isolated, unregulated dual output series 5. IAxxxxx-1w is fixed input, isolated, regulated dual out put series. (Recommended to use on A/D IC that request precision input) 6. Exxxxx-1w is fixed input, high-isolation, unregulated dual output series						

### Notes:

- a. The application above is made while assuming operation voltage of DAC0832 is +/-5V. For ±9V, ±12V or ±15V applications please choose Mornsun's corresponding products.
- b. The capacitor C2 and C3 which attached to output of DC-DC modules could not exceed 4.7uF, **and for models with ±12V or ±15V output voltage the capacitance of C2 and C3 shall not exceed 2.2uF**, otherwise the modules may have problem while starting. If further reducing the ripple is necessary, you may include a LC circuit after the output of modules.
- c. To further reduce the power loss, please use low loss components.
- d. For long term reliability concern, please do not use the modules at less than 10% rated power. Please select lower power modules for low power application, as for example 0.25W modules.
- e. For special requirements please contact us:  
 Tel: (978)567-9610 or Fax: (978)567-9601  
 Website: <http://www.mornsunamerica.com.cn>      E-mail: [sales@mornsunamerica.com](mailto:sales@mornsunamerica.com)