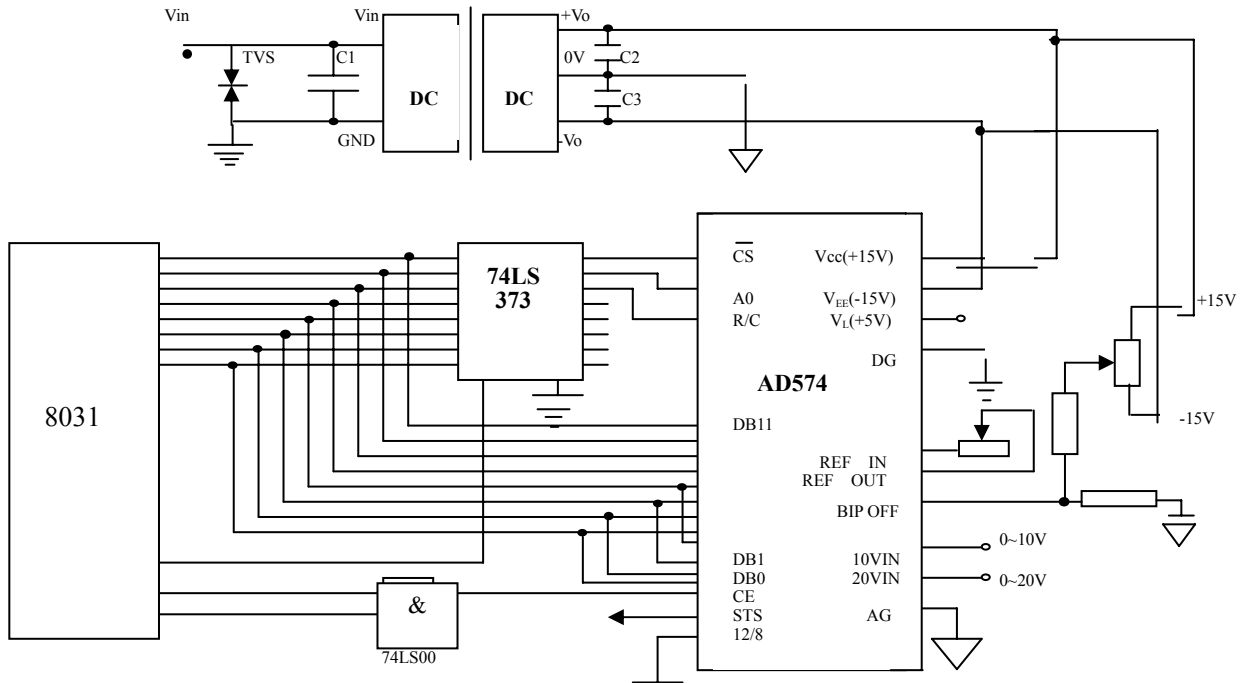


DUAL POWER A/D CONVERTER APPLICATION

DC-DC CONVERTER



FEATURES

- a. In this circuit, we take for example where DC-DC module is used as power source of AD574 and MONOLITHIC PROCESSOR 8031 circuit. AD574 use +/-15V input power, and requires accurate, low noise and low ripple source.
- b. The use of DC-DC module and photounits restrains surrounding EMI, eliminates ground loop, and protects the circuit system free interference from outside circuits. The modules provide a stable, precision, low noise and low ripple power source as well.

DC-DC POWER MODULE SELECTION GUIDE

SYSTEM POWER SUPPLY	GENERAL APPLICATION				HIGH PRECISION APPLICATION (RECOMMENDED)	
	1000VDC ISOLATION		3000VDC ISOLATION		1000VDC ISOLATION	
	PART NUMBER	PACKAGE	PART NUMBER	PACKAGE	PART NUMBER	PACKAGE
5V	A0505S-1W	SIP	E0505S-1W	SIP	IA0505S-1W	SIP
	A0505D-1W	DIP	E0505D-1W	DIP		
	A0505(X)T-1W	SMD	E0505T-1W	SMD		
12V	A1205S-1W	SIP	E1205S-1W	SIP	IA1205S-1W	SIP
	A1205D-1W	DIP	E1205D-1W	DIP		
	A1205(X)T-1W	SMD	E1205T-1W	SMD		
24V	A2405S-1W	SIP	E2405S-1W	SIP	IA2405S-1W	SIP
	A2405D-1W	DIP	E2405D-1W	DIP		
	A2405(X)T-1W	SMD				

NOTES:

1. Axxxxx-1W is fixed input, isolated, unregulated dual output series
2. IAxxxx-1w is fixed input, isolated, regulated dual out put series. (Recommended to use on A/D IC that request precision input)
3. Exxxxx-1w is fixed input, high-isolation, unregulated dual output series

Notes:

- e. The application above is made while assuming operation voltage of AD574 is +/-15V. For ±5V, ±9V or ±12V applications please choose Mornsun's corresponding products.
- f. The capacitor C2 and C3 which attached to output of DC-DC modules could not exceed 1uF, otherwise the modules may have problem while starting. If further reducing the ripple is necessary, you may include a LC circuit after the output of modules.
- g. To further reduce the power loss, please use low loss components.
- h. For long term reliability concern, please do not use the modules at less than 10% rated power. Please select lower power modules for low power application, as for example 0.25W modules.
- i. For special requirements please contact us:
Tel: (978)567-9610 or Fax: (978)567-9601
Website: <http://www.mornsunamerica.com> E-mail: sales@mornsunamerica.com