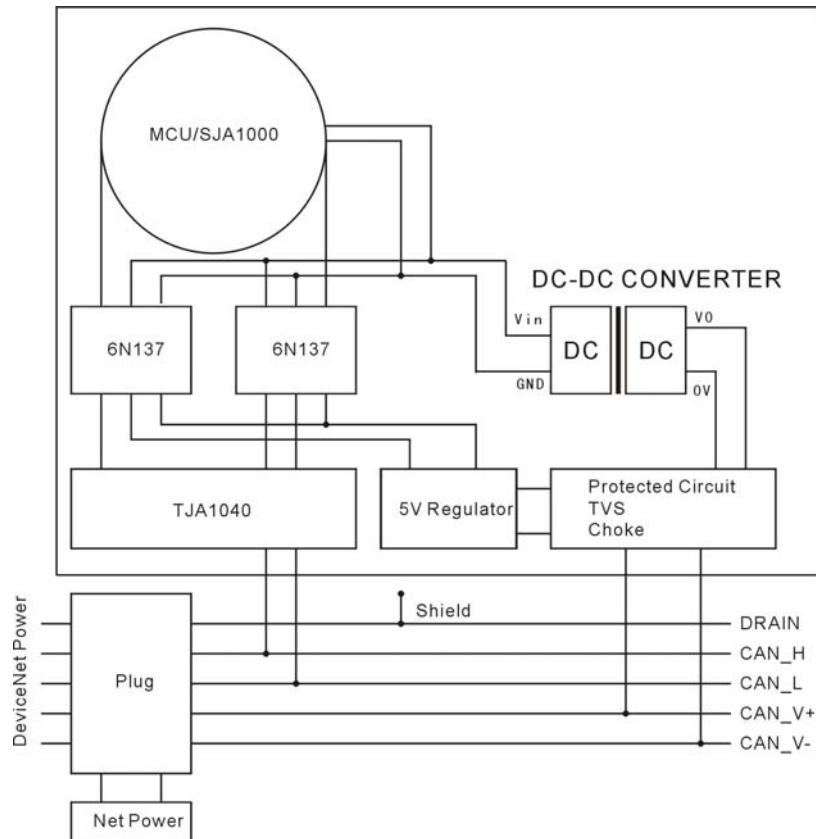


DEVICENET BASIC NODE APPLICATION



FEATURES

The use of DC-DC module and photounits restrains surrounding EMI, eliminates ground loop, and protects the circuit system free interference from outside circuits. The modules provide a stable, high reliability power source as well.

DC-DC POWER MODULE SELECTION GUIDE

POWER NET RATED VOLTAGE	POWER NET WAVE RANGE	DC-DC MODULES		POWER NET WAVE RANGE	DC-DCMODULES	
		PART NUMBER	PACKAGE		PART NUMBER	PACKAGE
24V	18V~36V	WRB2405CS-1W	SIP	9V~36V	PWB2405CS-1W	SIP DIP
		WRB2405LT-2W	SMD		PWB2405MD-1W	
		WRB2405N-2W	MINI DIP		5	
48V	36V~72V	WRB4805CS-1W	SIP	18V~72V	PWB4805CS-1W	SIP DIP
		WRB4805LT-2W	SMD		PWB4805MD-1W	
		WRB4805N-2W	MINI DIP		5	

NOTES:

- WRBxxxx-1W is wide input, isolated, regulated single output series and PWBxxxx-1w is ultra wide input, isolated, regulated single output series
- DC-DC modules with higher power capability are available to select.

Notes:

DeviceNet interface protection circuit should include wrong phase protection unit, lightning strike protection unit, and EMI elimination function. Mornsun's protection circuit application solution can be selected here.

For special requirements please contact us: Tel: (978)567-9610 or Fax: (978)567-9601

Website: <http://www.mornsunamerica.com>

E-mail: sales@mornsunamerica.com