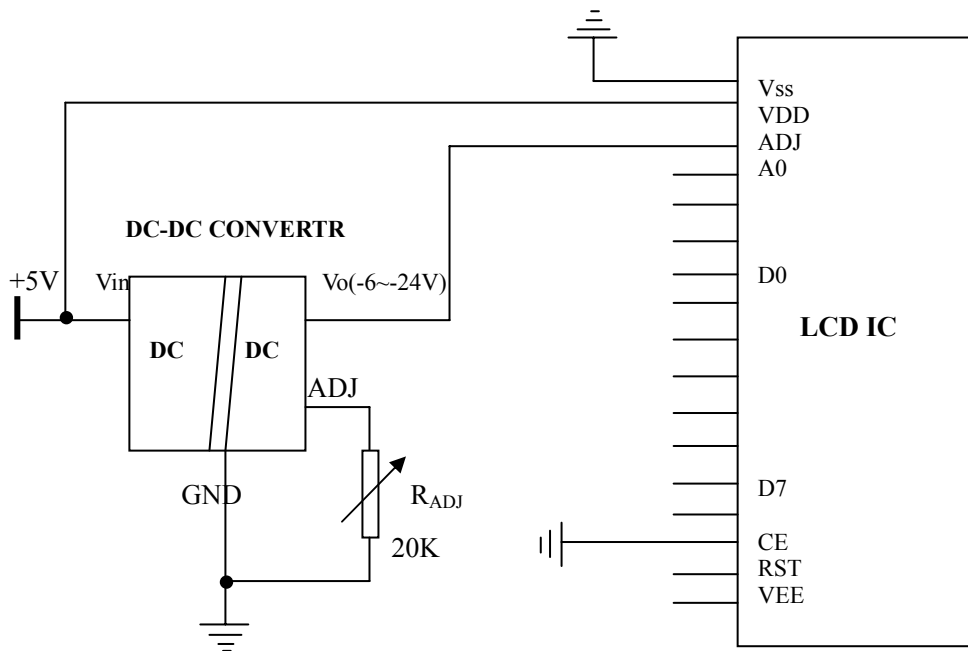


CONTRAST ADJUSTER SPECIAL APPLICATION



FEATURES

- a. In this circuit, we take for example where DC-DC module is used as power source of LCD backlight contrast adjustor, where the LCD backlight use +5V operation voltage, and where the contract adjustor use -6V ~ -24V wide range adjustable input voltage.
- b. The modules provide a stable, high reliability power source for LCD backlight contrast adjustor.
- c. The adjustable resistor R_{ADJ} is 0-20K. It enables DC-DC modules to output in a wide range (-6V ~ -24V). You can also select different adjustable resistor based on various demands, and the objective is to get most comfortable visual.

DC-DC POWER MODULE SELECTION GUIDE

SYSTEM POWER SUPPLY	-24V APPLICATION	
	PART NUMBER	PACKAGE
5V	ADP05C24A ADP05C24B	SIP WRAP
NOTES: 1. ADP05C24A: WIDE INPUT (5V-12V), NON-ISOLATION, -24V ADJUSTABLE OUTPUT, SIP PACKAGE. 2. ADP05C24B: FIXED INPUT (4.5V-5.5V), NON-ISOLATION, -24V ADJUSTABLE OUTPUT, WRAP PACKAGE.		

NOTES:

- a. The application above is specially made for contrast adjusting while assuming the LCD IC includes backlight power (-24V).
- b. For special requirements please contact us:
 Tel: (978)567-9610 or Fax: (978)567-9601
 Website: <http://www.mornsunamerica.com> E-mail: sales@mornsunamerica.com