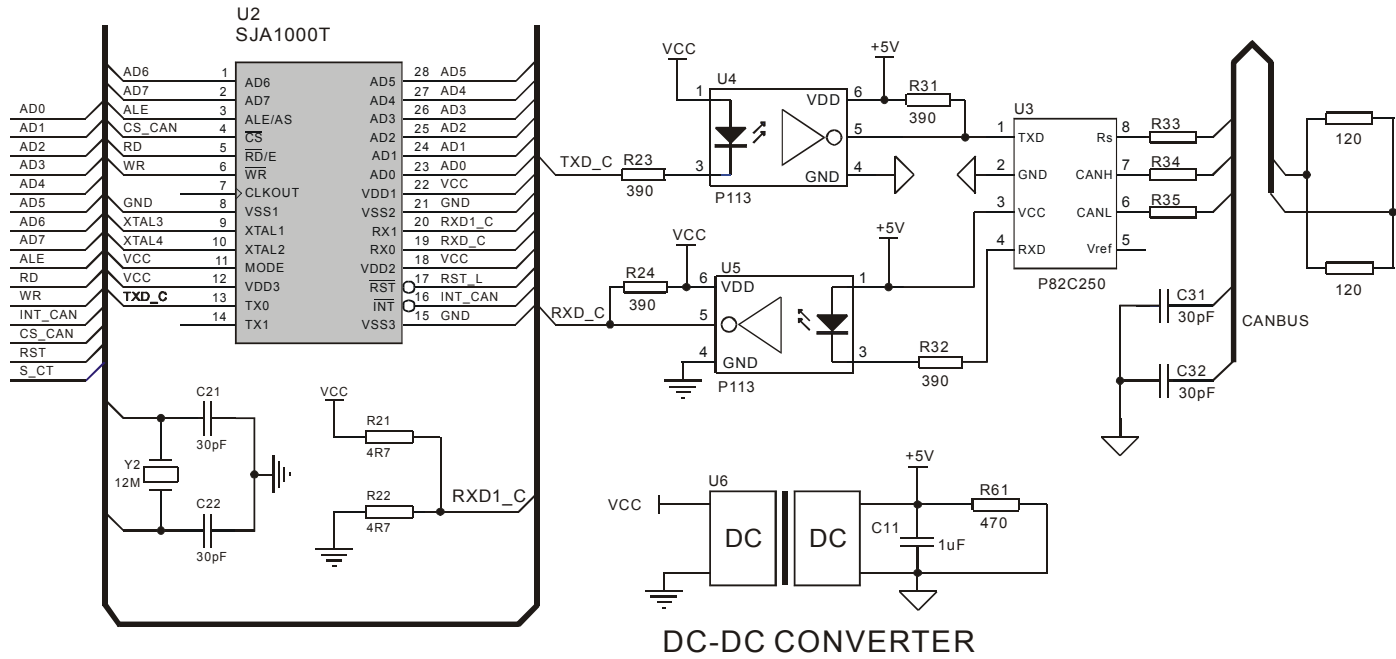


ISOLATED CANBUS BASIC NODE APPLICATION



FEATURES

The use of DC-DC module and photounits restrains surrounding EMI and eliminates ground loop, protects the circuit system free interference from outside circuits.

DC-DC POWER MODULE SELECTION GUIDE

SYSTEM POWER SUPPLY	ISOLATION VOLTAGE	GENERAL APPLICATION		REGULATED APPLICATION		LOW POWER CONSUMPTION	
		GENERAL DC-DC MODULES		HIGH STABILITY DC-DC MODULES		GERERAL DC-DC MODULES	
		PART NUMBER	PACKAGE	PART NUMBER	PACKAGE	PART NUMBER	PACKAGE
5VDC	1000VDC	B0505LS-1W	SIP	IB0505LS-W75	SIP	B0505LS-W25	SIP
		B0505LD-1W	DIP	IB0505LD-W75	DIP	B0505LD-W25	DIP
		B0505RN-1W	DCP01	IB0505T-W75	MINI SMD	B0505S-W25	DCP01
		B0505S-1W	MINI SIP	IB0505LT- W75	SMD	B0505D-W25	MINI SIP
		B0505D-1W	MINI DIP			B0505M-W25	MINI DIP
		B0505(X)T-1W	SMD			B0505T-W25	SMD
5VDC	3000VDC (2000VAC)	F0505S-1W	SIP	IF0505S-W75	SIP	F0505S-W25	SIP
		F0505D-1W	DIP	IF0505D-W75	DIP	F0505D-W25	DIP
		F0505M-1W	MINI SIP			F0505M-W25	MINI SIP
		F0505T-1W	SMD			F0505T-W25	SMD
5VDC	5200VDC (3500VAC)	FB0505S-1W	SIP				
		FB0505N-1W	DIP				
5VDC	6000VDC (4000VAC)	H0505S-1W	SIP				
		H0505D-1W	DIP				

NOTES:

13. Bxxxxx-xW is fixed input, isolated, unregulated single output series and IBxxxxx-xW is fixed input, isolated, regulated single out put series.
14. Fxxxxx-xw is fixed input, high-isolation, unregulated single output series and IFxxxxx-xW is fixed input, high-isolation, regulated single out put series.
15. B0505XD-1W is exactly compatible to Burr-Brown part DCP010505P (Pin to Pin compatible)
16. If the input voltage of system is 12V or 24V, just select the relevant DC-DC modules of same input voltage. Please see our website for details or contact us.

Notes:

- a. The capacitor C11 which attached to output of DC-DC modules could not be large, generally can not exceed 10uF, otherwise the modules may have problem while starting.
- b. The measurement to determine resistor R61 which attached to output of DC-DC modules can be: the power consumption of R61 should be 10% of the rated power of the module.

c. For special requirements please contact us:

Tel: (978)567-9610 or Fax: (978)567-9601

Website: <http://www.mornsunamerica.com>

E-mail: sales@mornsunamerica.com