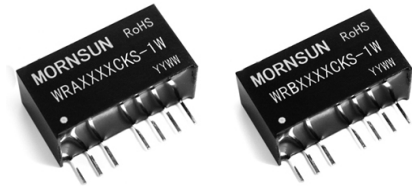


MORNSUN

WRA_CKS-1W & WRB_CKS-1W Series 1W, WIDE INPUT, ISOLATED & REGULATED DUAL/SINGLE OUTPUT SIP DC-DC CONVERTER



RoHS

FEATURES

- 2:1 wide input voltage range
- I/O Isolation 1500VDC
- Short circuit protection (automatic recovery)
- External On/Off control
- Internal SMD construction
- Operating Temperature: -40°C to +85°C
- UL94-V0 Package
- RoHS Compliance

APPLICATIONS

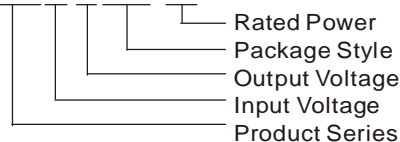
The WRA_CKS-1W & WRB_CKS-1W series are specially designed for applications where a wide range input voltage power supplies are isolated from the input power supply in a distributed power supply system on a circuit board.

These products apply to:

- 1) Where the voltage of the input power supply is wide range (voltage range \leq 2:1);
- 2) Where isolation is necessary between input and output (isolation voltage \leq 1500VDC);
- 3) Where the regulation of the output voltage and the output ripple noise are demanded.

MODEL SELECTION

WRA2412CKS-1W



MORNSUN America

43 Broad Street
Hudson, MA 01749
Tel: 978-567-9610
Fax: 978-567-9601
[Http://www.mornsunamerica.com](http://www.mornsunamerica.com)

PRODUCT PROGRAM

Part Number	Input			Output			Efficiency (% Typ.)
	Voltage (VDC)			Voltage (VDC)	Current (mA)		
	Nominal	Range	Max*		Max.	Min.	
WRA0505CKS-1W	5	4.5-9.0	11	±5	±100	±10	72
WRA0512CKS-1W				±12	±42	±4	76
WRA0515CKS-1W				±15	±33	±3	75
WRB0505CKS-1W				5	200	20	72
WRB0509CKS-1W				9	111	11	74
WRB0512CKS-1W				12	83	8	76
WRB0515CKS-1W				15	67	7	75
WRA1205CKS-1W				12	9.0-18	22	±5
WRA1212CKS-1W	±12	±42	±4				80
WRA1215CKS-1W	±15	±33	±3				80
WRB1205CKS-1W	5	200	20				76
WRB1209CKS-1W	9	111	11				78
WRB1212CKS-1W	12	83	8				80
WRB1215CKS-1W	15	67	7				80
WRA2405CKS-1W	24	18-36	40				±5
WRA2412CKS-1W				±12	±42	±4	81
WRA2415CKS-1W				±15	±33	±3	81
WRB2405CKS-1W				5	200	20	76
WRB2409CKS-1W				9	111	11	78
WRB2412CKS-1W				12	83	8	81
WRB2415CKS-1W				15	67	7	81
WRA4805CKS-1W				48	36-72	80	±5
WRA4812CKS-1W	±12	±42	±4				80
WRA4815CKS-1W	±15	±33	±3				80
WRB4805CKS-1W	5	200	20				76
WRB4809CKS-1W	9	111	11				78
WRB4812CKS-1W	12	83	8				80
WRB4815CKS-1W	15	67	7				80

*Input voltage can't exceed this value, or will cause the permanent damage.

COMMON SPECIFICATIONS

Item	Test Conditions	Min.	Typ.	Max.	Units
Storage humidity				95	%
Operating temperature		-40		85	°C
Storage temperature		-50		125	
Temp. Rise at full load			15	35	
Lead temperature	1.5mm from case for 10 seconds			300	
No-load power consumption			120		
Cooling		Free Air Convection			
Short circuit protection		Continuous, automatic recovery			
Case material		Plastic(UL94-V0)			
MTBF		1000			K hours
Weight			5		g

ISOLATION SPECIFICATIONS

Item	Test Conditions	Min.	Typ.	Max.	Units
Isolation voltage	Tested for 1 minute and 1mA max	1500			VDC
Isolation resistance	Test at 500VDC	1000			MΩ
Isolation capacitance	100KHz,1V		35		pF

OUTPUT SPECIFICATIONS

Item	Test Conditions	Min.	Typ.	Max.	Units
Output power	Refer to product program	0.1		1	W
Output voltage accuracy	Refer to recommended circuit		±1	±3	
Load regulation	10% to 100% load (WRB_CKS-1W)		±0.5	±0.75	%
	10% to 100% load (WRA_CKS-1W) *		±0.5	±1.0	
Line regulation	Input voltage from low to high		±0.2	±0.5	
Temperature drift (Vout)	Refer to recommended circuit			±0.03	%/°C
Ripple & Noise	20MHz Bandwidth		25	75	mVp-p
Switching frequency	100% load, input voltage range		300		KHz

*Dual output models unbalanced load (25/100%): ±5%Max.

**Test ripple and noise by "parallel cable" method. See detailed operation instructions at Testing of Power Converter section, application notes.

APPLICATION NOTE

1) Recommended circuit

If you want to further decrease the input/output ripple, an "LC" filtering network may be connected to the input and output ends of the DC/DC converter, see (Figure 1).

However, the capacitance of the output filter capacitor must be proper. If the capacitance is too big, a startup problem might arise. For every channel of output, provided the safe and reliable operation is ensured, the greatest capacitance of its filter capacitor sees (Table 1). General:

Cin:	5V,12V	100μF
	24V,48V	10uF
Cout:	47μF(typ.)	
Lin:	4.7μH	~120μH
Lout:	2.2μH	~10μH
Cs:	10uF	~22uF

2) CTRL Terminal

When open or high impedance, the converter work well; When this pin is 'high'; the converter shutdown; It should be note that the input current (Ic) should between 5-10mA, exceeding the maximum 20mA will cause permanence damage to the converter. The value of R Can be derived as follows :

$$R = \frac{V_C - V_D - 1.0}{I_c}$$

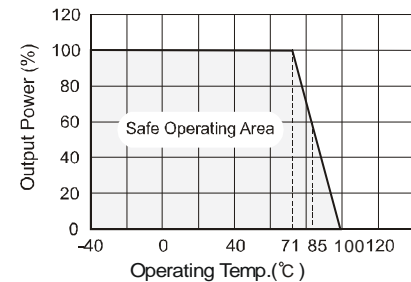
3) Input current

While using unstable power source, please ensure the output voltage and ripple voltage do not exceed indexes of the converter. The preceding power source must be able to provide for converter sufficient starting current Ip (Figure 2).

General: $I_p \leq 1.4 * I_{in-max}$

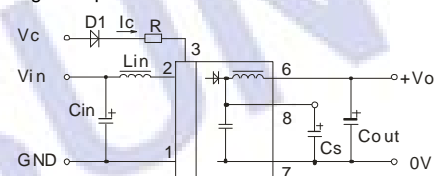
4) No parallel connection or plug and play

TYPICAL TEMPERATURE CURVE

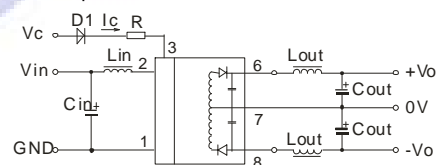


RECOMMENDED CIRCUIT

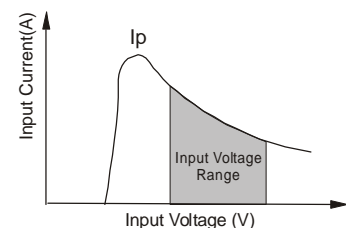
Single Output



Dual Output



(Figure 1)

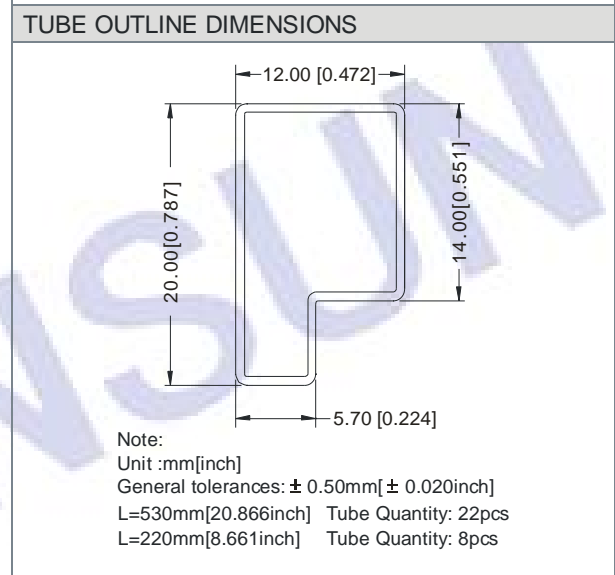
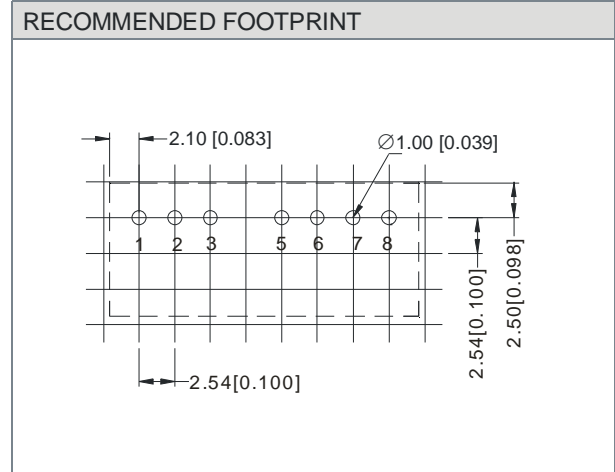
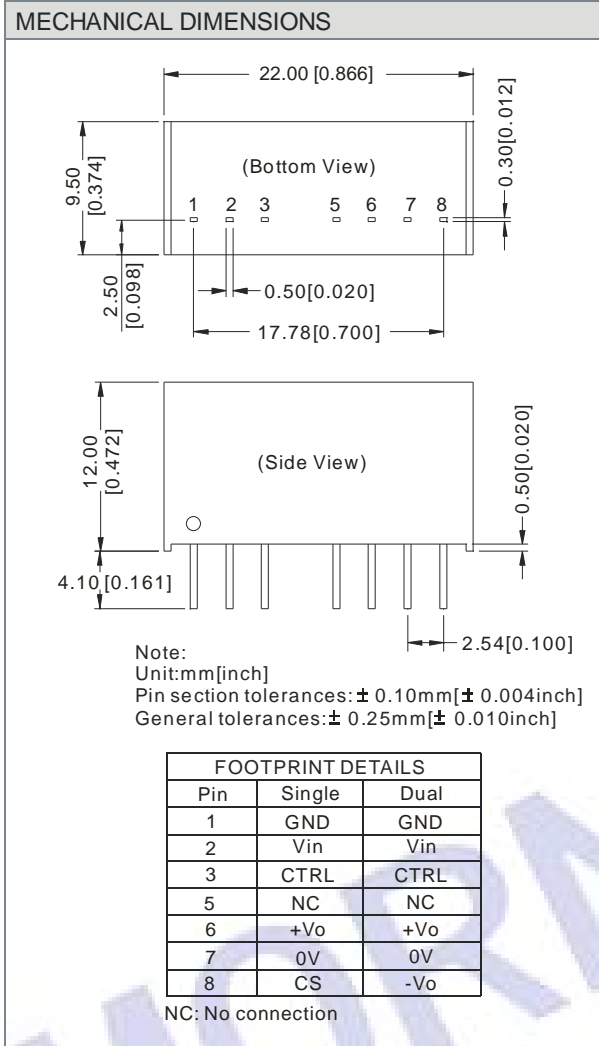


(Figure 2)

External Capacitor Table (Table 1)

Single Vout (VDC)	Cout (uF)	Dual Vout (VDC)	Cout (uF)
5	680	±5	330
9	560	±12	220
12	470	±15	150
15	330	-	-

OUTLINE DIMENSIONS & FOOTPRINT DETAILS



Note:

1. The load shouldn't be less than 10%, otherwise ripple will increase dramatically.
2. Operation under 10% load will not damage the converter; However, they may not meet all specification listed.
3. All specifications measured at Ta=25°C, humidity<75%, nominal input voltage and rated output load unless otherwise specified.
4. In this datasheet, all the test methods of indications are based on corporate standards.
5. Only typical models listed, other models may be different, please contact our technical person for more details.