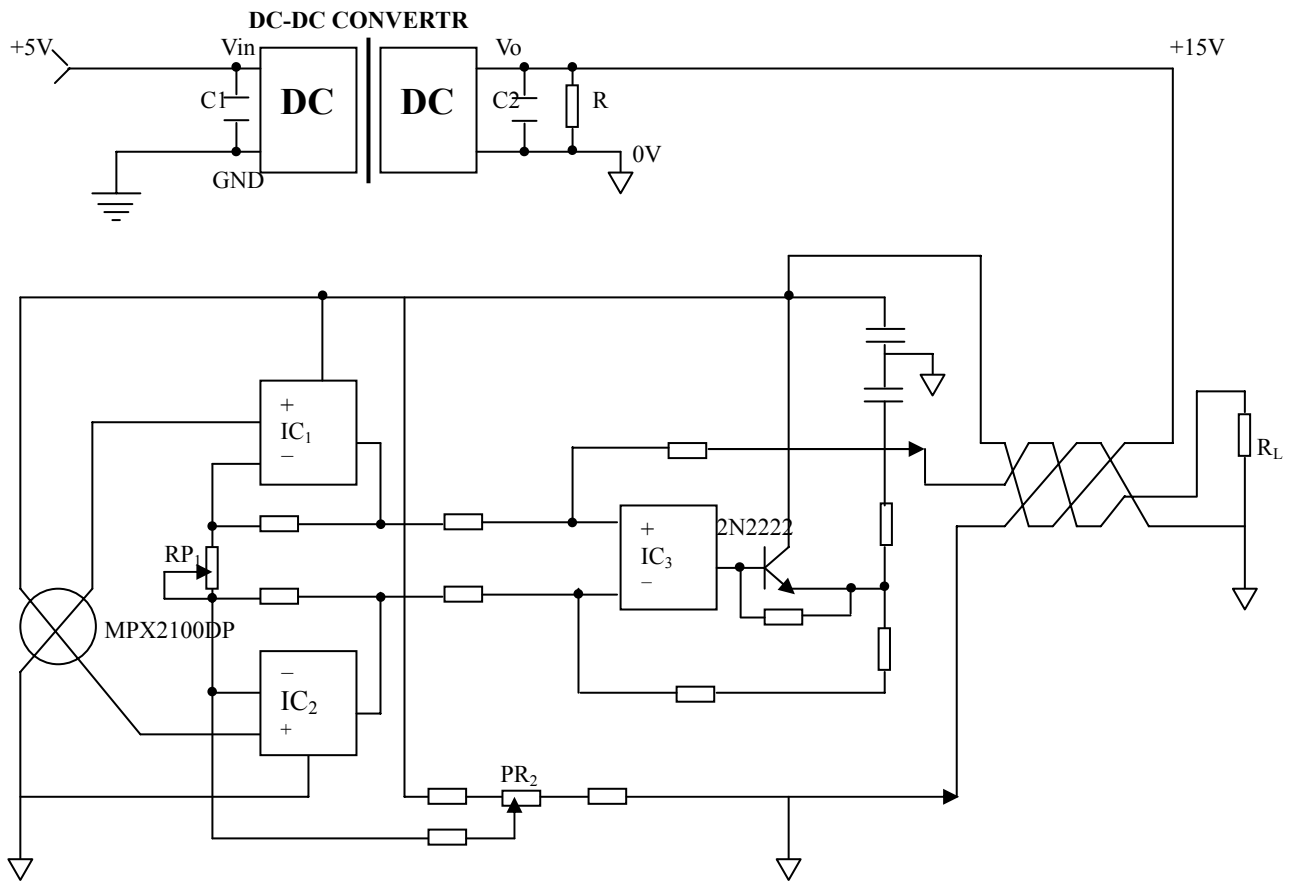


## 4-20mA PRESSURE TRANSMITTER APPLICATION



### FEATURES

- The transmitter includes a 100KPa transmitter MPX2100DP, an operation amplifier MC33079 and transistor 2N2222 etc. The load is a 150Ohm resistor at 50M away. The system uses 15V power source.
- The system has an isolation from DC-DC modules, and this ensures there is no directly electrical relations between input signal and output signal, makes it possible to restrain surrounding EMI, to eliminate ground loop, and to protect the circuit system free interference from outside circuits.

# DC-DC POWER MODULE SELECTION GUIDE

SYSTEM POWER SUPPLY	GENERAL APPLICATION		REGULATED APPLICATION		WIDE INPUT APPLICATION	
	1000VDC ISOLATION		1000VDC ISOLATION		1000VDC ISOLATION	
	PART NUMBER	PACKAGE	PART NUMBER	PACKAGE	PART NUMBER	PACKAGE
5V	B0515LS-1W B0515S-1W B0515LD-1W B0515D-1W B0515(X)T-1W	SIP MICRO SIP DIP MICRO DIP SMD	IB0515LS-1W IB0515LD-1W IB0515LT-1W	SIP DIP SMD	WRB0515CS-1W	SIP
12V	B1215LS-1W B1215S-1W B1215LD-1W B1215D-1W B1215(X)T-1W	SIP MICRO SIP DIP MICRO DIP SMD	IB1215LS-1W IB1215LD-1W IB1215LT-1W	SIP DIP SMD	WRB1215CS-1W	SIP
24V	B2415LS-1W B2415S-1W B2415LD-1W B2415(X)T-1W	SIP MICRO SIP DIP SMD	IB24215LS-1W IB2415LD-1W IB2415LT-1W	SIP DIP SMD	WRB2415CS-1W	SIP

**NOTES:**

3. Bxxxxx-1W is fixed input, isolated, unregulated single output series,
4. IBxxxxx-1w is fixed input, isolated, regulated single out put series.
5. WRBxxxxx-1W is wide input, isolated, regulated single output series.
6. For higher isolation applications, such as 3000VDC and 6000VDC, please select fixed input F and H series, regulated IF, IH series or wide input WRF series.

**Notes:**

- a. The application above is made while assuming operation voltage of the transmitter is +15V. For +12V, or +24V applications please choose Mornsun's corresponding products.
- b. To further reduce the power loss, please use low loss components.
- c. For fixed input series and regulated output series products, when their input voltage is 15V or above, it is recommended that DO NOT attach outside capacitor to output side for it may cause problem when the modules is starting.
- d. For long term reliability concern, please do not use the modules at less than 10% rated power. Please select lower power modules for low power application, as for example 0.25W modules. Or to meet the 10% minimum load requirement, you may add dummy load at the output side of modules.
- e. For special requirements please contact us:  
 Tel: (978)567-9610 or Fax: (978)567-9601  
 Website: <http://www.mornsunamerica.com>    E-mail: [sales@mornsunamerica.com](mailto:sales@mornsunamerica.com)